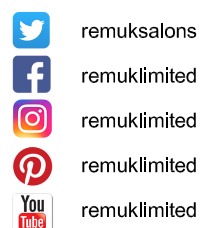


Centenary Pedispa
01595
Edition 1-2018



REM (UK) Limited
Glenfield Mill,
Glenfield Road,
Nelson, Lancashire
BB9 8AW
T: +44 (0)1282 619 977
F: +44 (0)1282 619 617
E: sales@rem.co.uk
W: www.rem.co.uk

Made in Britain 



Centenary Pedispa
01595
Edition 1-2018

Product Name: Centenary Pedispa
Product Type: Beauty

Product Codes:

- 01595 - Centenary Pedispa

Standard Equipment:

- Manually adjustable footrest
- Swivel seat
- Retractable tap
- Whirl pool motor
- Porcelain basin

Optional Equipment:

- N/A

Main Construction:

- Interior plywood construction with foam toppers.
- Any REM laminate to base
- Any REM fabric to seat
- ceramic basin

Finish:

- Any fabric & laminate from the REM range. All REM fabrics are fire retardant to Crib 5.

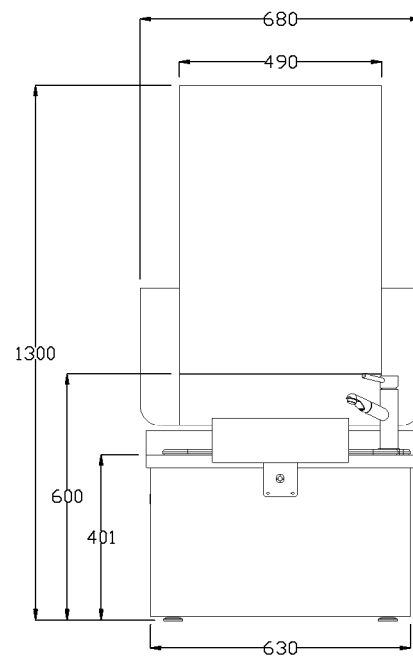
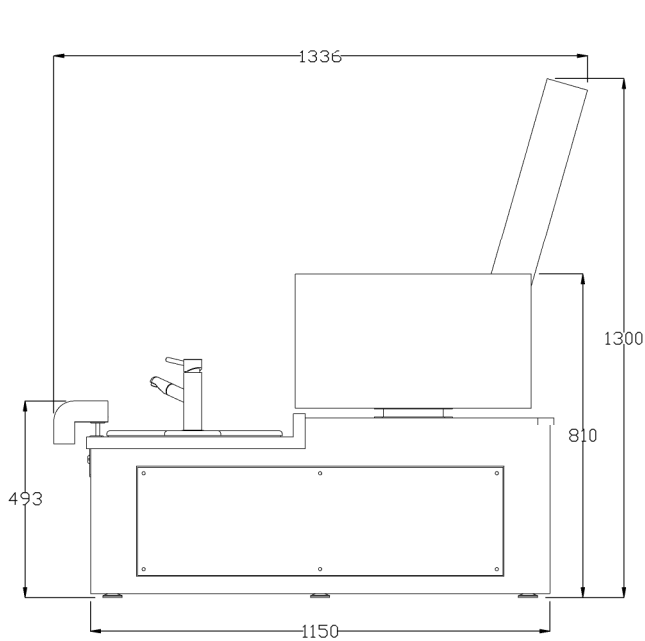
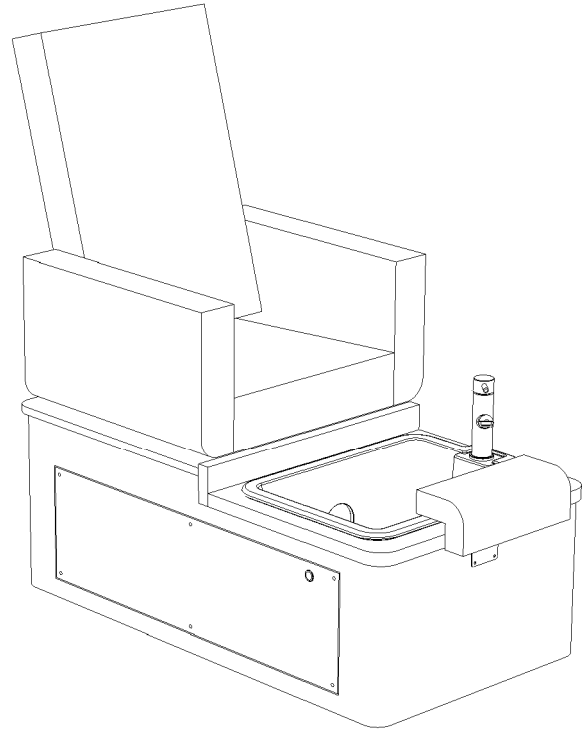
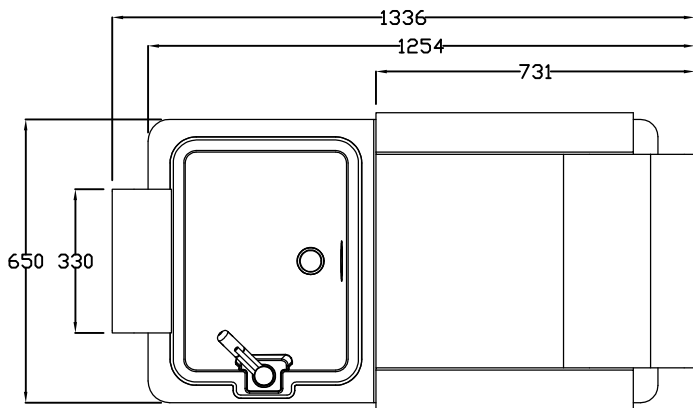
Features:

- Unique Design, part of the REM Centenary Range of products
- Self-centralising swivel seat for easy access
- Whirl pool motor
- Choice of any REM colours with feature piping on seat
- Adjustable footrest
- Retractable tap

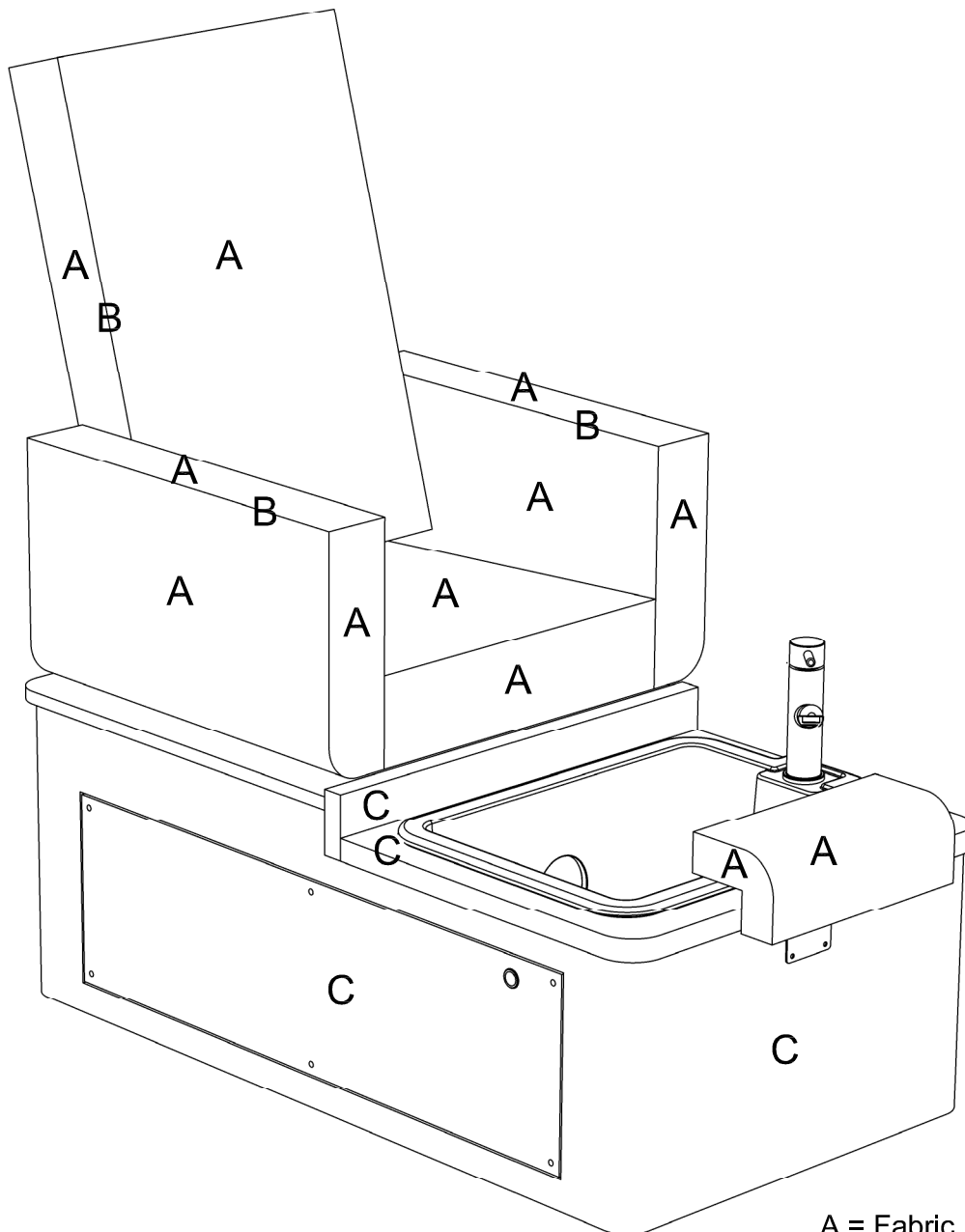


Centenary Pedispa
01595
Edition 1-2018

NOTE: sizes may vary slightly from shown



Centenary Pedispa
01595
Edition 1-2018



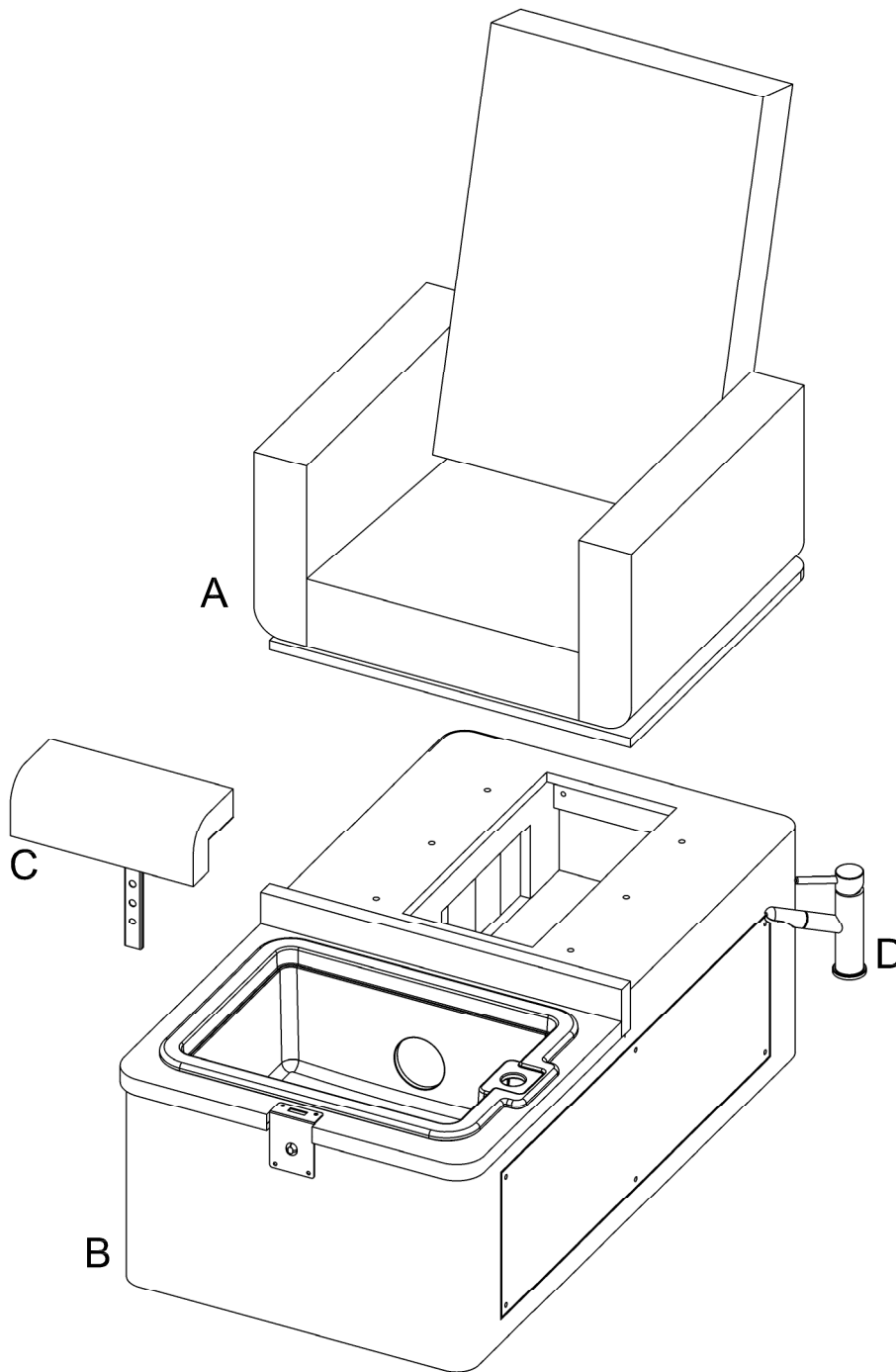
A = Fabric
B = Fabric (piping)
C = Laminate

Unit Options:
03954 Embroidery Small
03955 Embroidery Large
(embroidery to rear of chairs)

Optional extras must be clearly detailed at time of order.

Centenary Pedispa
01595
Edition 1-2018

NOTE: these are recommended fitting instructions. Please discuss our recommendations with a qualified furniture fitter.

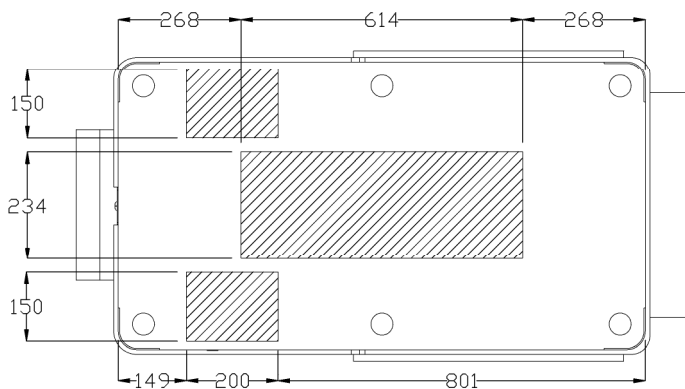
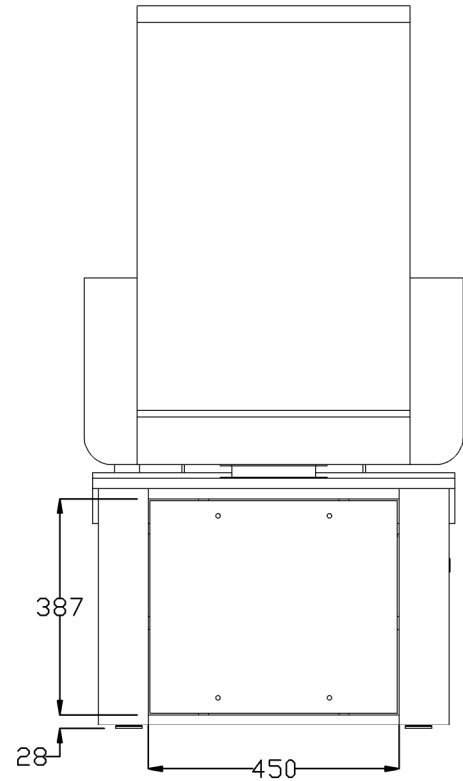
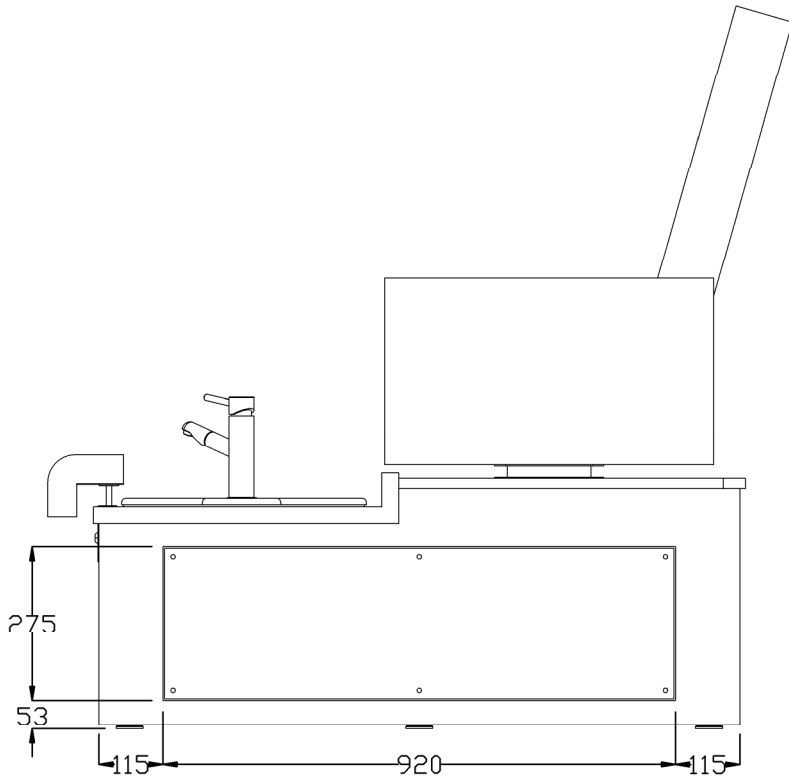


A:Seat Section x 1
B:Main Body x 1
C:Footrest Section x 1
D:Tap x1

NOT SHOWN:
E:M8 Bolts x 6
F:Washers x 6

Note: additional plumbing components may be required but are not supplied by REM, they can be purchased from local plumbing shops

Centenary Pedispa
01595
Edition 1-2018

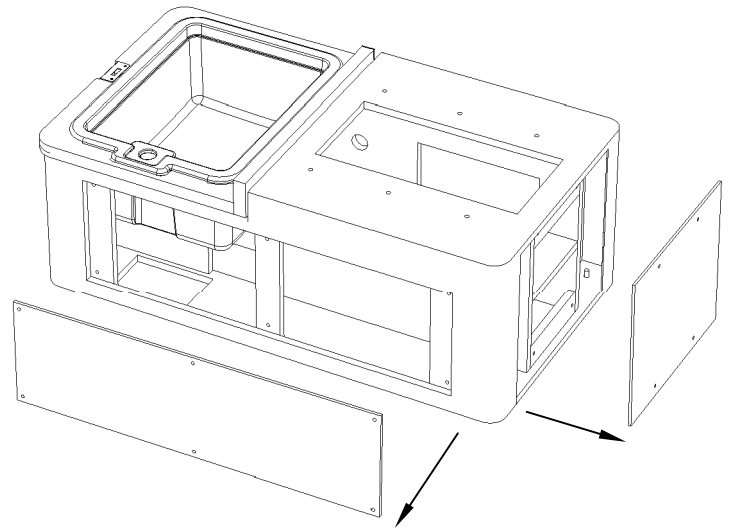
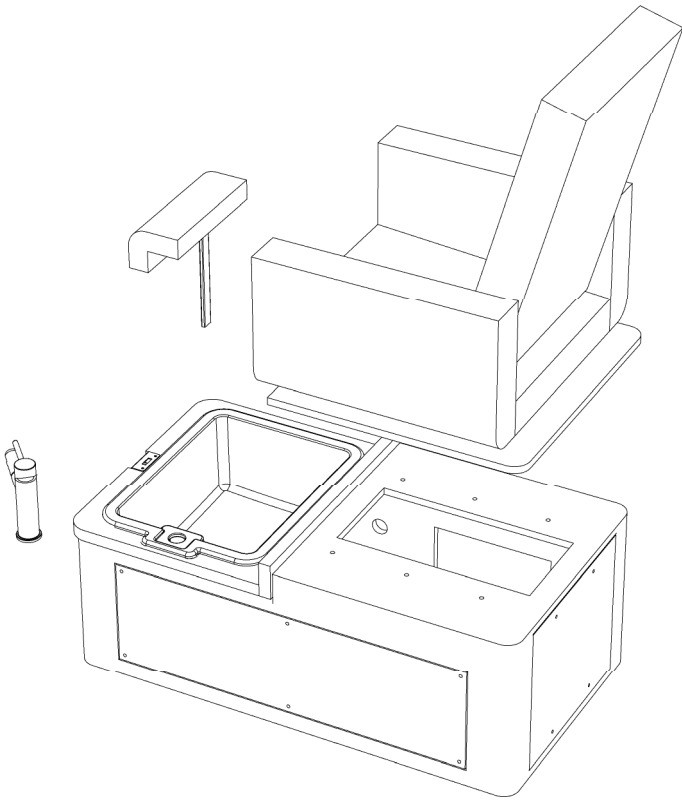


Side & Rear Access Panels - Unfasten 4/6 x fixings to gain access to rear / side panel.

NOTE: Right side access panel (with power button) should only be removed with care by qualified personnel, with power to the unit disconnected.

DO NOT DISCONNECT ANY POWER LEADS.

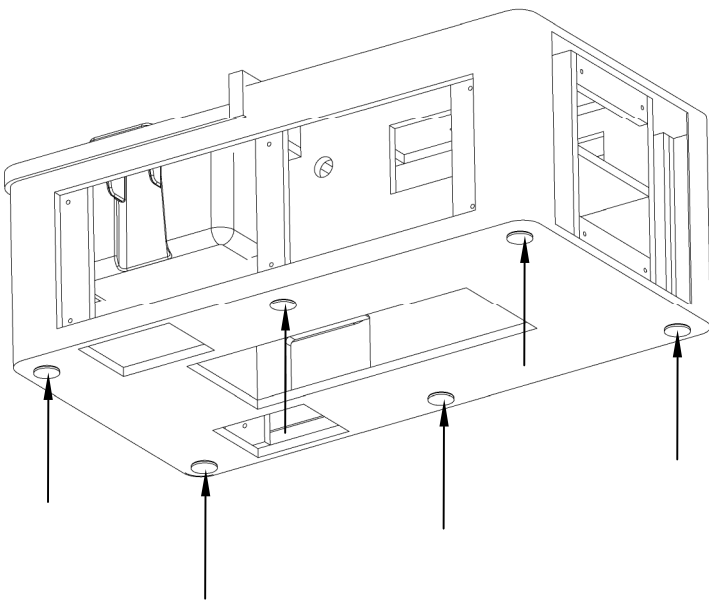
Base plumbing access positions to suit onsite requirements.



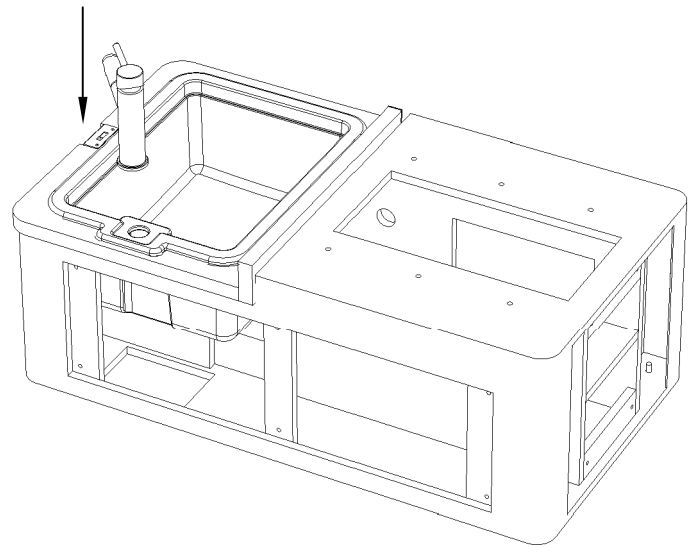
Minimum 2 people required for this full installation process.

1. Carefully unwrap components and ensure all pieces are in order.

2. Remove side access panel, and rear access panel in order to install and plumb unit.



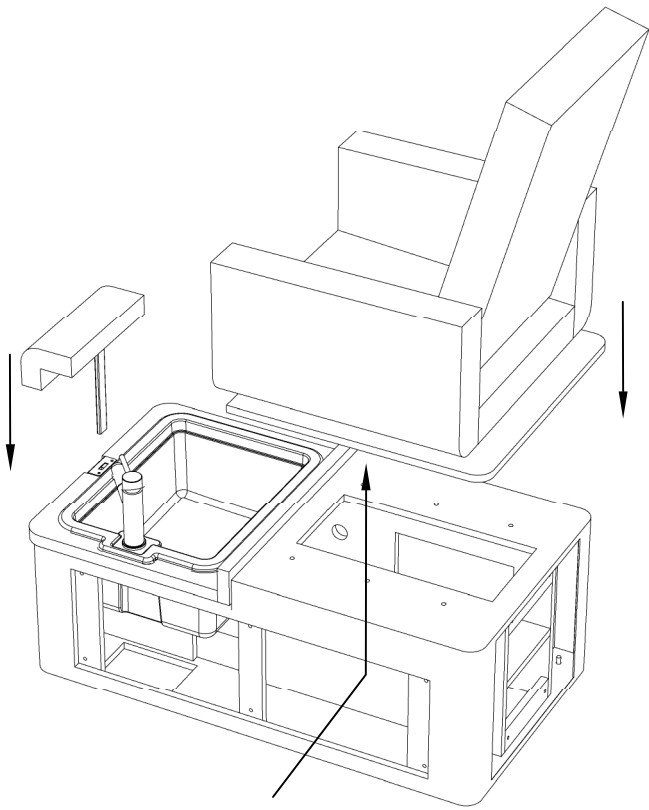
3. Place Main Body (B) into position. Adjust feet to underside and ensure unit surface is horizontal.



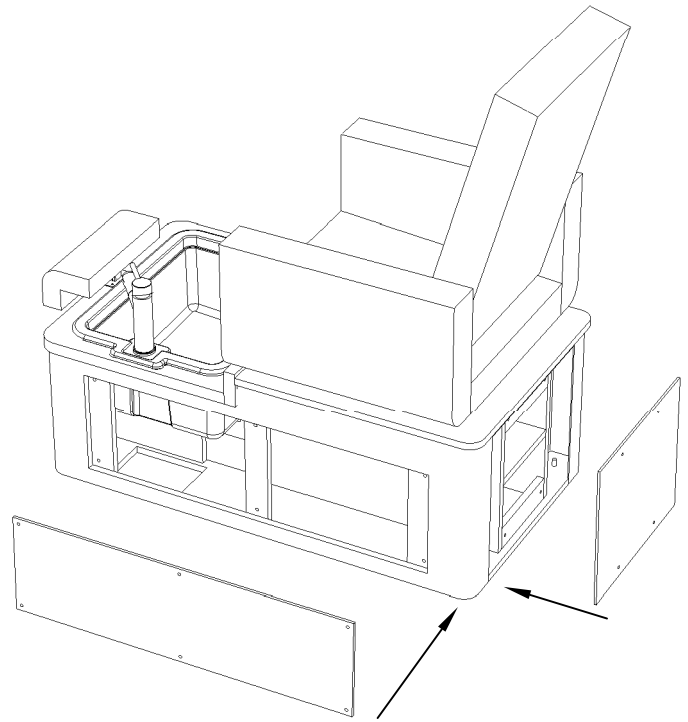
4. Install Tap (D) to Basin - see separate instructions with tap kit. Complete on-site plumbing work.

IMPORTANT NOTICE

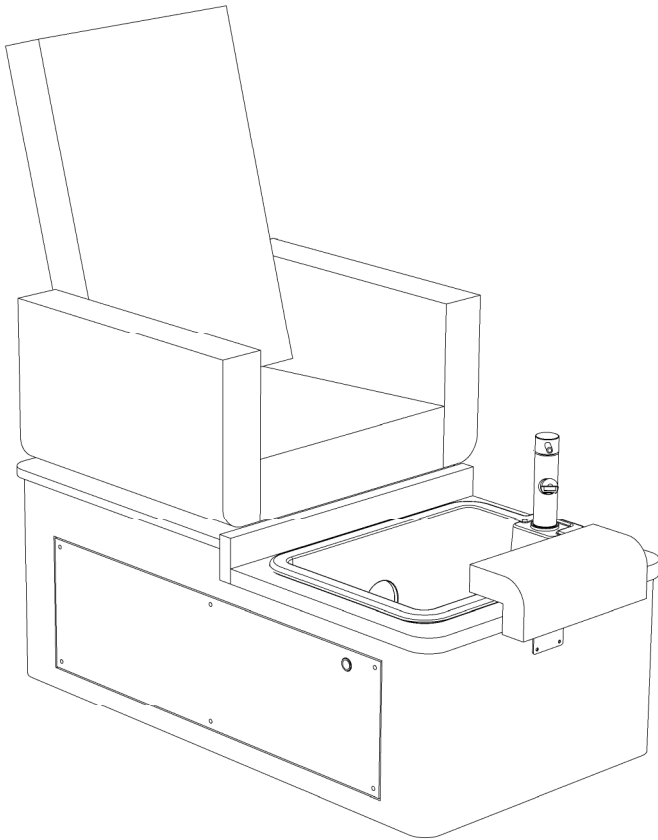
Salon owners should be advised to engage the services of a qualified plumber when installing basins / taps, and completing any plumbing work.



5. Carefully lower Seat Section (A) onto Main Body (B), bolt into position from underside using fixings provided (E&F) Slide Footrest Section (C) into front bracket.



5. Connect unit to on-site power supply. Replace and secure side and rear access panels.

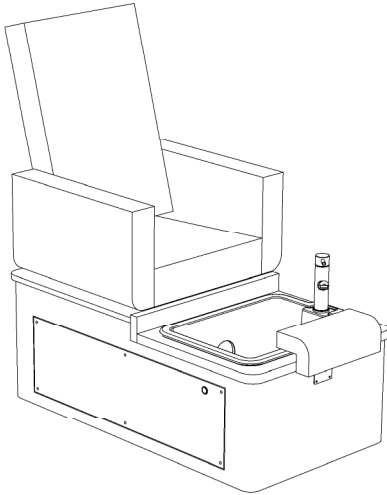


6. Unit complete

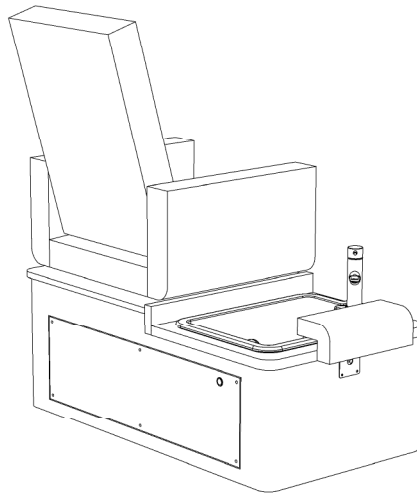
The Centenary Pedispa is supplied with Whirlpool feature. This unit must be installed, inspected, and tested by qualified personnel to meet the Requirements for Electrical Installations, IEE Wiring Regulations, 17th Edition. Advice on further periodic inspection and testing should be sought from the technician carrying out the initial installation. Once installed, movement of the unit, modifications, repairs etc. should only be carried out in accordance with the contents of this notice.

Centenary Pedispa
01595
Edition 1-2018

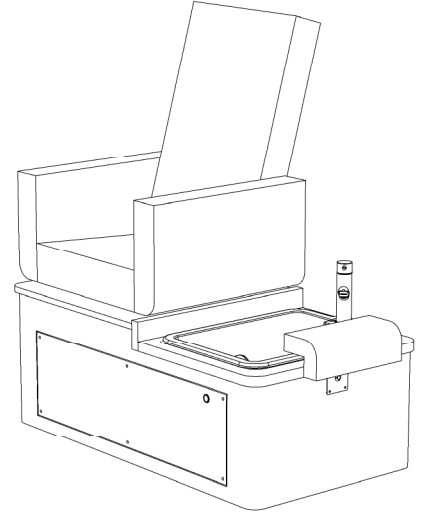
CENTRAL POSITION



90 DEGREE LEFT POSITION



90 DEGREE RIGHT POSITION



Seat Access

The Centenary Pedispa contains a self centralising swivel seat system. The seat can be turned 90 degrees clockwise / anti-clockwise to gain entry / exit to the unit.

Footrest

The footrest can be adjusted by lifting the footrest section to the required position. To reduce height press front button and carefully lower, release button to lock.

Whirl Pool Motor

Power on/off button is located on side of unit. The button will illuminate when in use and flash during 'cool down' period.

When turned on the whirlpool motor will operate for a maximum of 10 minutes and turn off automatically. During 'cool down' period the motor cannot be restarted for 5 minutes until the power button light stops flashing.

MAXIMUM OPERATING TIME: 10 minutes

MAXIMUM COOL DOWN TIME: 5 minutes

Cool down ratio is 30 seconds cool down for every 60 seconds operating time upto a maximum operating time of 10 minutes.

NOTICE: DISCONNECTING POWER WILL NOT RESET COOL DOWN OPERATION.

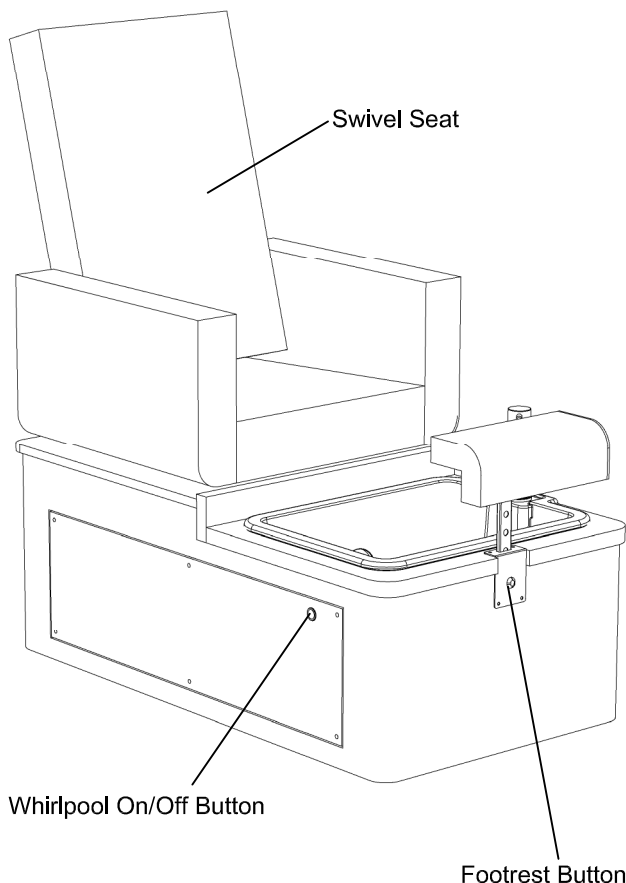
WARNING: ALWAYS ENSURE WHIRL POOL MOTOR IS FULLY COVERED BY WATER BEFORE OPERATING.

Mixer Tap

Tap is operated by lifting handle and turning to reach required temperature. The tap head is extractable and can be lifted from the main tap body - replace when not in use.

Care should be taken to avoid excess water exiting the basin area.

DO NOT GAIN ACCESS TO, TAMPER WITH OR MODIFY ANY OF THE ELECTRICAL COMPONENTS ON THIS UNIT - USE A QUALIFIED TECHNICIAN ONLY.



Fabrics:

DECLARATION OF CONFORMITY OF CERTAIN FIRE RETARDANCY STANDARDS.

BS 7176 is the British Standard which specifies the requirements for the resistance to ignition of upholstered furniture manufactured for seating or similar usage, but excluding use on domestic furniture or transport seating. Tests have been carried out on all REM products and fabrics in accordance to BS EN 1021-1: 2006 and BS EN 1021-2: 2006 which satisfy the performance requirements of Low Hazard Category of BS 7176 (resistance to ignition sources: Smouldering Cigarette and Match Flame Equivalent).

Typical examples of furniture that are required to meet the Low Hazard Category are Schools, Colleges, Offices, and Day Centres.

All of the cloths the REM swatch are available on the majority of REM products and meet the Medium Hazard Category (Public Buildings, Restaurants, Hotel Bedrooms, Hospitals etc) of BS 7176 which is similar to the above but also includes the Ignition Source 5 test of BS 5852: 2006.

It should be noted also, that whilst the test levels for the various hazard categories are set after careful consideration of the particular end-user environments involved, they are not intended to reflect the behaviour of the upholstery in a fully developed fire. A label is available for use on items produced in accordance with this standard, although there is no legal requirement to attach said label. These can be supplied on request at the time of ordering (printed to suit Low and Medium Hazard Only).

All products are subject to availability. REM reserves the right, without further notice, to alter the material specification of our products, if necessary to provide the highest levels of product quality.

Laminate:

Each laminate shown in the REM swatch has been carefully selected from the Polyrey, Wilsonart & Egger Quality Collections of high pressure laminates (HPL). They can all be postformed (with the exception of Alu Brosse), and are suitable for commercial use. Please note that Matt Black has a tendency to fine scratching and finger marks when applied to horizontal working surfaces.

REM has made every effort to ensure that the Laminates presented in our swatch book are as the original. All products are subject to availability. REM reserves the right, without further notice, to alter the material specification of our products, if necessary to provide the highest levels of product quality.

Please ensure that you discuss any queries with our technical staff. For more colour ideas visit www.rem.co.uk.

NOTE

REM declines all responsibility for any injury to persons or damage to property caused by installation or assembly that has not been carried out in compliance with the general warnings, and the installation instructions of the pole/base and/or wall arm. REM declines all responsibility for any injury to persons or damage to property caused by installation or assembly carried out by non-qualified persons. REM declines all responsibility for injury or damage resulting from the unsuitability of the wall for the wall hood processor and arm only.

Environmental Protection



The crossed-out wheeled bin symbol which you will find on the Rating Plate attached to your product, or appearing in the Assembly/Operating Instructions, signifies an obligation by you as purchaser or owner, to dispose of the equipment in accordance with the European Directive 2002/96/EC. This is a statutory instrument commonly known as the 'WEEE Regulations', which effectively requires you to carry out disposals of all Electrical and Electronic Equipment separately from your usual waste facilities. Specialist waste controls, designated by the Government (or Local Authorities) are to be made available to prevent potentially harmful substances affecting the environment and causing a possible human/animal health risk.

More detailed information is available from your local Environmental Health Office, Local Authority Waste Disposal Service, or the sales point from which the product was originally purchased.

REM's Producer Registration Number is **WEE/BJ0066TW**

Guarantee

All REM products are supplied with a 3 Year Warranty from the date of purchase.

- *This Warranty Covers* any product defects arising from faulty materials or workmanship; or defects arising from transport damage. It is important to note that damages must be reported within 72 hours.
- *This Warranty Does Not Cover* any problems arising from damage caused by misuse, failure to install correctly, damage caused during 3rd party transportation and storage, or fair wear and tear.
- *This Warranty extends for a period of three years from date of purchase.* Customers must retain their receipt from the supplying REM Distributor as proof of purchase.
- *Throughout the first year of the warranty period* REM will, at its discretion, repair or replace defective products with both parts and labour covered under full warranty.
- *During the second and third year of the warranty period* REM will supply parts required for the repair free of charge but will not be responsible for any labour charges incurred to carry out the repair. These charges are the responsibility of the Customer.
- *REM will not be responsible for* any associated costs of refitting or reinstalling any products which have been replaced nor will it be responsible for any costs incurred arising from the non-availability of its products awaiting repair or replacement.
- *Should any problems arise with your REM product* please use the REM Support Link which is found at <http://www.remsupport.co.uk/>. The Customer Service Team can also be contacted at customerservice@rem.co.uk.
- *This three year warranty in no way affects your statutory rights* and is intended as an additional safeguard and benefit for buying and using REM products.

REM Returns Policy

All defects arising from faulty materials or poor workmanship; or defects arising from transport damage will be returned to REM at no cost to the customer.

Where REM agree to replace a product, the replacement item will be charged to the customer's account. The returned unit will be credited in full once it has been received back at REM. In cases where the reported fault cannot be found, no credit will not be authorised.

Unwanted goods, or items not meeting customer requirements; which are free from the defects listed above and in its original packaging will be considered for credit by a duly appointed representative of REM. A minimum charge of £60 will apply and will be communicated before the returns order is processed.

Please ensure that you discuss any queries with our technical staff:

www.rem.co.uk

sales@rem.co.uk

customerservice@rem.co.uk

+44(0) 1282 619 917