

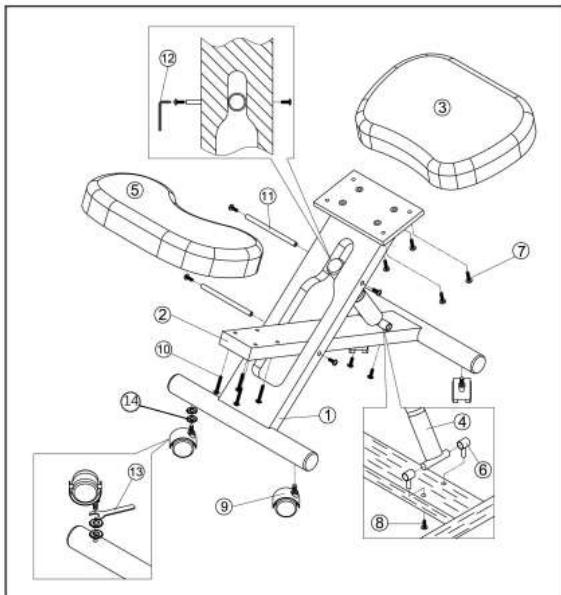
Ergonomic Kneeling Stool

Product Code: TEKNEESTOOL/B



Parts List

- 1. Seat Support x 1
- 2. Knee Support x 1
- 3. Seat Cushion x 1
- 4. Height Adjuster x 1
- 5. Knee Cushion x 1
- 6. Plastic Mountings x 2
- 7. Screws 1/4"x25mm x 4pcs
- 8. Screws 1/4"x18mm x 6pcs
- 9. Casters(50mm) x 4
- 10. Screws 1/4"x38mm x 4pcs
- 11. Pivot Pins x 2
- 12. Hexagon Wrench #5
25mm x 66mm x1pcs
- 13. Socket lock wrench #14 x 1pcs
- 14. Gasket x 8pcs



Before you begin to assemble the kneeling chair, please remove all individual parts from the carton.

1. Identify the Height Adjuster (part 4), Plastic Mountings (part 6), and Short 18mm screw (part 8). Slide the Plastic Mountings (part 6) onto each of the pivots located on the end of the Height Adjuster (part 4).
2. Take the Knee Support (part 2) and attach the Height Adjuster (part 4) to the top side (fitting for the casters should face the floor). Use the Plastic Mountings (part 6) as shown in the drawing. Secure tightly in the place using the Screws 1/4"X18mm (part 8). The height Adjuster (part 4) should move freely in the mounts.
3. Pass the Knee Support (part 2) through the center of the Seat Support (part 1) as shown and secure the free end of the Height Adjuster (part 4) using a Pivot Pin (part 11) in place.
4. Complete assembly of the two supports using the remaining Pivot Pin (part 11) and 18mm Gold Screws (part 8).
5. Attach the Knee Cushion (part 5) to the Knee Support (part 2) as shown. Use the 38mm Screw (part 10).
6. The Seat Cushion (part 3) is attached in the same manner using the 25mm Screw (part 7).
7. Put each screw through 2 pcs of gaskets(part 14) and attach the Casters (part 9) to the chair by screwing the thread CLOCKWISE into the metal inserts on the underside of each cross bar.
8. Check that all parts are fully tightened and correctly placed before using the chair.

